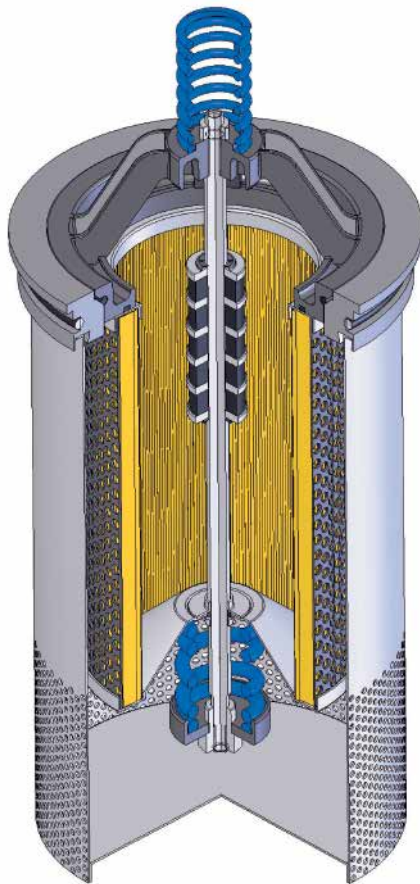
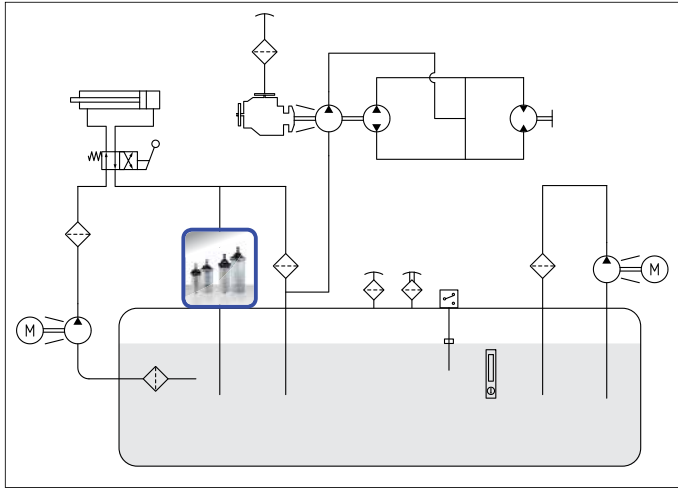


RSC



TANK INSERT RETURN FILTER, INSIDE TO OUTSIDE FILTRATION





RSC

1 MPa (10 bar)

Flow rates: 20 ÷ 2400 l/min

TECHNICAL DATA

Max. working pressure: 1 MPa (10 bar)

Max. testing pressure: 2 MPa (20 bar)

Bursting pressure: 3 MPa (30 bar)

Fatigue test: 0 ÷ 500 kPa (5 bar) / 1.000.000 cycles

Bypass valve: Δp 150 kPa (1,5 bar) \pm 0,2

Filter element collapse pressure: Δp 1 MPa (10 bar)

Working temperature: -25 ÷ +110°C

MATERIALS

Element support:

size 100 - 200 polyamide

size 300 aluminium

Diffusor: zinc plated steel

Magnetic core: synthesized magnetic material

Seals: standard NBR

on request FKM

COMPATIBILITY (ISO 2943:1999)

Full with fluids: HH-HL-HM-HV-HTG

(according to ISO 6743/4).

For fluids different than the above mentioned, please contact our Sales Department.

All tests performed according to the following standards:

ISO 2941: Element collapse resistance test

ISO 2942: Production integrity test

ISO 2943: Fluids compatibility

ISO 3723: End load test method

ISO 3724: Flow fatigue resistance method

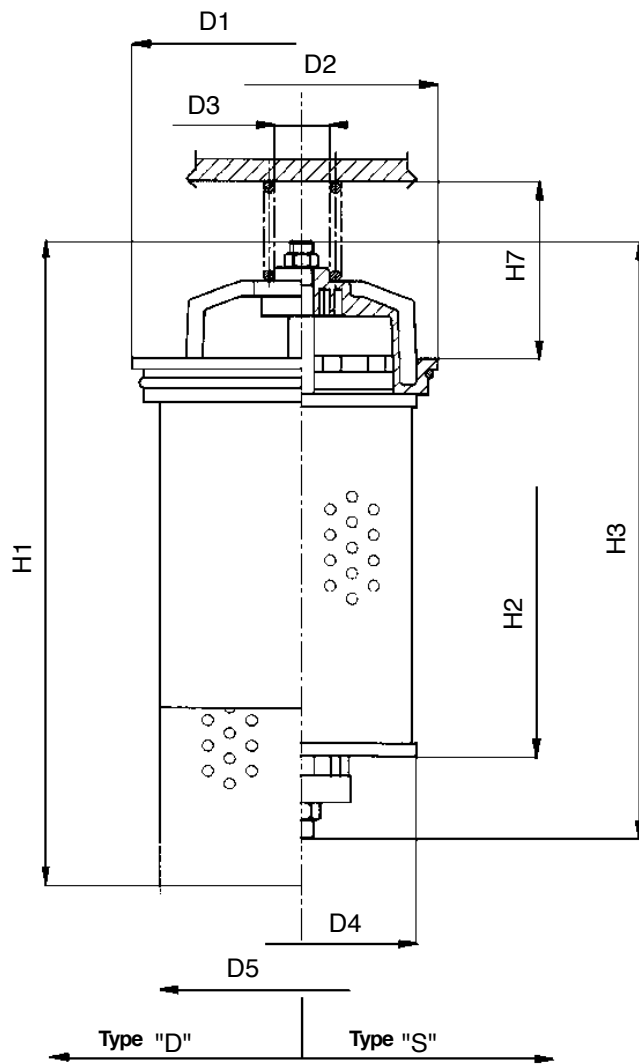
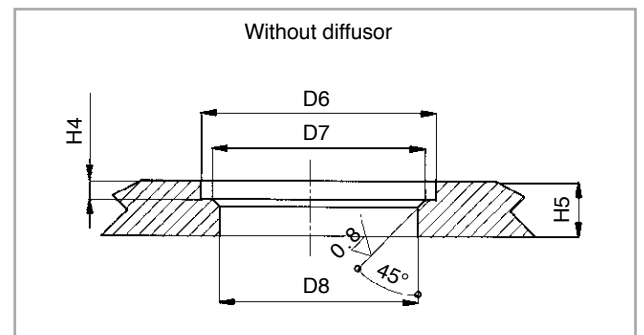
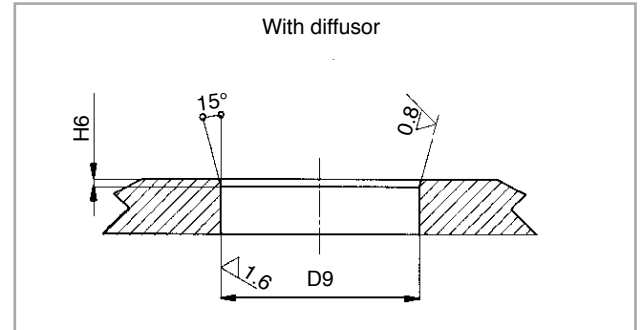
ISO 3968: Pressure drop versus flow rate

ISO 16889: Multipass test.

For further information contact our Technical Dept.

DIMENSIONAL LAYOUT

(mm)

**TANK HOLE**

| Type | D1 | D2 | D3 | D4 | D5 | D6 | D7 | D8 | D9 | H1 | H2 | H3 | H4 | H5 | H6 | H7 |
|---------|-----|-------|----|-----|-----|-----|-------|-----|-------|-------|------|------|----|----|-----|----|
| RSC 110 | 120 | 87 | 20 | 72 | 89 | 88 | 85 | 80 | 110 | 263,5 | 106 | 197 | 4 | 12 | 2,5 | 55 |
| RSC 120 | 120 | 87 | 20 | 72 | 89 | 88 | 85 | 80 | 110 | 263,5 | 150 | 240 | 4 | 12 | 2,5 | 55 |
| RSC 130 | 120 | 87 | 20 | 72 | 89 | 88 | 85 | 80 | 110 | 308,5 | 200 | 290 | 4 | 12 | 2,5 | 55 |
| RSC 140 | 120 | 87 | 20 | 72 | 89 | 88 | 85 | 80 | 110 | 413,5 | 300 | 390 | 4 | 12 | 2,5 | 55 |
| RSC 220 | 155 | 125,5 | 25 | 106 | 132 | 126 | 123,5 | 117 | 145 | 325 | 190 | 308 | 5 | 15 | 2,5 | 55 |
| RSC 230 | 155 | 125,5 | 25 | 106 | 132 | 126 | 123,5 | 117 | 145 | 395 | 260 | 378 | 5 | 15 | 2,5 | 55 |
| RSC 240 | 155 | 125,5 | 25 | 106 | 132 | 126 | 123,5 | 117 | 145 | 600 | 465 | 583 | 5 | 15 | 2,5 | 55 |
| RSC 310 | 185 | 150 | 25 | 126 | 165 | 151 | 149 | 139 | 178 | 370,5 | 210 | 337 | 5 | 18 | 2,5 | 55 |
| RSC 320 | 185 | 150 | 25 | 126 | 165 | 151 | 149 | 139 | 178 | 450,5 | 290 | 417 | 5 | 18 | 2,5 | 55 |
| RSC 330 | 185 | 150 | 25 | 126 | 165 | 151 | 149 | 139 | 178 | 550 | 390 | 517 | 5 | 18 | 2,5 | 55 |
| RSC 340 | 185 | 150 | 25 | 126 | 165 | 151 | 149 | 139 | 178 | 640 | 478 | 602 | 5 | 18 | 2,5 | 55 |
| RSC 410 | 260 | 230 | 40 | 203 | 235 | 231 | 227 | 217 | 250,5 | 546 | 330 | 524 | 6 | 20 | 2,5 | 55 |
| RSC 420 | 260 | 230 | 40 | 203 | 235 | 231 | 227 | 217 | 250,5 | 761 | 545 | 739 | 6 | 20 | 2,5 | 55 |
| RSC 430 | 260 | 230 | 40 | 203 | 235 | 231 | 227 | 217 | 250,5 | 1041 | 825 | 1019 | 6 | 20 | 2,5 | 55 |
| RSC 440 | 260 | 230 | 40 | 203 | 235 | 231 | 227 | 217 | 250,5 | 1306 | 1090 | 1284 | 6 | 20 | 2,5 | 55 |

FLOW RATES

(l/min)

$\Delta p = 30 \div 40$ kPa (0,3 \div 0,4 bar)

| Type | Filter Media | | | | | |
|---------|--------------|------|------|------|------|------|
| | FC | FD | FV | CD | RT | MS |
| RSC 110 | 20 | 35 | 100 | 110 | 125 | 125 |
| RSC 120 | 35 | 50 | 125 | 125 | 150 | 150 |
| RSC 130 | 50 | 65 | 180 | 200 | 250 | 250 |
| RSC 140 | 80 | 120 | 150 | 170 | 250 | 250 |
| RSC 220 | 80 | 120 | 150 | 170 | 250 | 250 |
| RSC 230 | 100 | 140 | 200 | 230 | 400 | 400 |
| RSC 240 | 160 | 240 | 300 | 300 | 400 | 400 |
| RSC 310 | 140 | 180 | 300 | 300 | 500 | 500 |
| RSC 320 | 120 | 200 | 380 | 390 | 500 | 500 |
| RSC 330 | 180 | 310 | 480 | 500 | 850 | 850 |
| RSC 340 | 250 | 380 | 600 | 600 | 1000 | 1000 |
| RSC 410 | 620 | 850 | 1050 | 1050 | 1050 | 1050 |
| RSC 420 | 850 | 1000 | 1200 | 1200 | 1200 | 1200 |
| RSC 430 | 1250 | 2050 | 2400 | 2400 | 2400 | 2400 |
| RSC 440 | 2000 | 2400 | 2400 | 2400 | 2400 | 2400 |

The reference fluid has a kinematic viscosity of 30 cSt and a density of 0,86 Kg/dm³.
For different oil viscosity please contact our Sales Department for further information.

DIRT HOLDING CAPACITY

(g) ISO MTD $\Delta p = 500$ kPa (5 bar)

| Type | Media | | |
|---------|-------|-------|-------|
| | FC | FD | FV |
| CRC 110 | 6,6 | 7,36 | 10,9 |
| CRC 120 | 10,2 | 11,1 | 16,5 |
| CRC 130 | 13,8 | 14,9 | 22,2 |
| CRC 140 | 20,7 | 22,6 | 33,5 |
| CRC 220 | 34,1 | 37,38 | 55,3 |
| CRC 230 | 47,3 | 51,7 | 76,5 |
| CRC 240 | 85,1 | 92,9 | 137,6 |
| CRC 310 | 48,3 | 52,6 | 78,2 |
| CRC 320 | 67,5 | 73,8 | 109,2 |
| CRC 330 | 91,2 | 99,6 | 147,5 |
| CRC 340 | 112,3 | 122,5 | 181,7 |
| CRC 410 | 155,2 | 172,5 | 253,0 |
| CRC 420 | 258,7 | 287,5 | 425,5 |
| CRC 430 | 391,0 | 432,4 | 644,0 |
| CRC 440 | 517,5 | 575,0 | 848,7 |

FILTER AREA

(cm²)

| Type | Media | | |
|---------|-------|-------|-------|
| | RT | MS | CD |
| CRC 110 | 460 | 460 | 1250 |
| CRC 120 | 650 | 650 | 1800 |
| CRC 130 | 880 | 880 | 2450 |
| CRC 140 | 1320 | 1320 | 3600 |
| CRC 220 | 1500 | 1500 | 4600 |
| CRC 230 | 2050 | 2050 | 6400 |
| CRC 240 | 3670 | 3670 | 11800 |
| CRC 310 | 2250 | 2250 | 6650 |
| CRC 320 | 3150 | 3150 | 9200 |
| CRC 330 | 4250 | 4250 | 12400 |
| CRC 340 | 5250 | 5250 | 15400 |
| CRC 410 | 6400 | 6400 | 22100 |
| CRC 420 | 10800 | 10800 | 37000 |
| CRC 430 | 16200 | 16200 | 55500 |
| CRC 440 | 21800 | 21800 | 74000 |

Technical data subject to variations without prior notice. RSC 9/2013